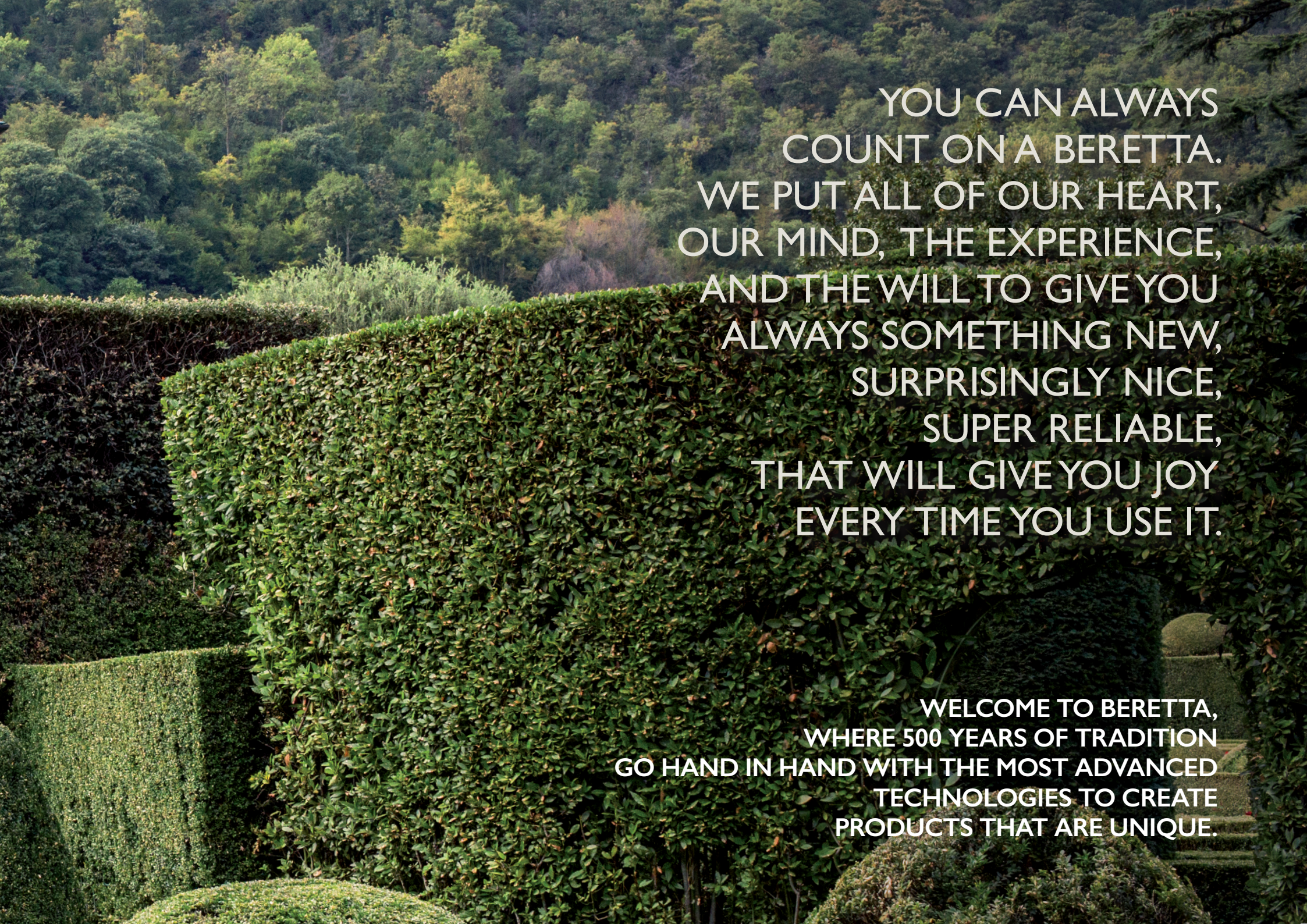




BERETTA

2021 FIREARMS CATALOG





YOU CAN ALWAYS
COUNT ON A BERETTA.
WE PUT ALL OF OUR HEART,
OUR MIND, THE EXPERIENCE,
AND THE WILL TO GIVE YOU
ALWAYS SOMETHING NEW,
SURPRISINGLY NICE,
SUPER RELIABLE,
THAT WILL GIVE YOU JOY
EVERY TIME YOU USE IT.

WELCOME TO BERETTA,
WHERE 500 YEARS OF TRADITION
GO HAND IN HAND WITH THE MOST ADVANCED
TECHNOLOGIES TO CREATE
PRODUCTS THAT ARE UNIQUE.

FOR SOME IT'S A GENTLEMEN'S HUNT,
FOR SOME IT'S HANGING OUT WITH BUDDIES.
FOR SOME IT'S A BIG FAMILY,
FOR SOME IT'S JUST A CREW.
FOR SOME IT'S AN AFTER-WORK GROUP,
FOR SOME IT'S LIKE AN ALUMNI NETWORK.
FOR SOME IT'S BEING IMMERSED IN NATURE,
FOR SOME IT'S SAVORING ITS MOST AUTHENTIC TASTE.
FOR SOME IT'S A CLIQUE OF CONNOISSEURS,
FOR SOME IT'S A 1 MILLION CLICK COMMUNITY ON FACEBOOK.
FOR SOME IT'S A WOMAN THING,
FOR SOME IT'S A FATHER AND SON THING.

BUT ALL TOGETHER, THESE PEOPLE MAKE UP
THE LARGEST FAMILY OF HUNTERS THAT EVER EXISTED.
BECAUSE IT STRETCHES BACK 500 YEARS,
RIGHT TO THE START OF THE BERETTA DYNASTY.
...IT IS THE BERETTA TRIBE.

BE PART OF THE

#BERETTATRIBE





686 SILVER PIGEON I



686 Silver Pigeon I

The 686 Silver Pigeon I is Beretta's most popular over and under shotgun of all time. Based on the superb 680 platform, with its unmistakable low, slim action and legendary, ultra reliable mechanism; it won the hearts of shooting enthusiasts the world over.

The new version incorporates the perfect ballistics of Beretta's highly reputed Steelium Optima Bore HP barrels. It also features a more defined and lustrous floral engraving, which is further enhanced with images of grapes on the vine and the iconic Beretta Three Arrows logo on both side of the action.

Available in all calibers; 12, 20, 28 and .410; as well as in Sporting version, with or without Beretta's adjustable B-Fast stock. All of which combines to make the 686 Silver Pigeon I the most elegant, well-balanced and quick-to-shoulder, factory-made shotgun in the world.

Model	Gauge	Chamber (mm)	Barrel (cm)	Rib (type)	Chokes (type)	Accessories	Drop (mm/mm)	Cast	Pad
686 Silver Pigeon I	12	76	67-71-76	6x6	OCHP	5 Chokes	36,5/57,5	RH-LH	MicroCore®
686 Silver Pigeon I (B-Fast)	12	76	67-71-76	6x6	OCHP	5 Chokes	38/60	RH-LH	MicroCore®
686 Silver Pigeon I	20	76	67-71-76	6x6	OCHP	5 Chokes	36,5/57,5	RH-LH	MicroCore®
686 Silver Pigeon I	28	70	67-71-76	6x6	OCHP	5 Chokes	36,5/57,5	RH-LH	MicroCore®
686 Silver Pigeon I	.410	76	67-71	6x6	MC	5 Chokes	36,5/57,5	RH-LH	MicroCore®
686 Silver Pigeon I Combo	20/28	76/70	71	6x6	MC	5 Chokes	36,5/57,5	RH	MicroCore®
686 Silver Pigeon I Combo	28/.410	70/76	71	6x6	MC	5 Chokes	36,5/57,5	RH	MicroCore®




686 Silver Pigeon I Vittoria

The Vittoria series is the first Beretta's shotgun range specifically designed for women. Vittoria shotguns feature a dedicated ergonomics, suited to those with a shorter stature, to ensure a smooth, comfortable and precise handling. These guns are fitted with a shortened, semi-Montecarlo style stock, have a reduced pistol grip and additionally are completed by a 1 mm checkering, derived from the premium guns, beneficial for smaller hands.

Model	Gauge	Chamber (mm)	Barrel (cm)	Rib (type)	Chokes (type)	Accessories	Drop (mm/mm)	Cast	Pad
686 Silver Pigeon I Vittoria	12	76	67-71-76	6x6	OCHP	5 Chokes	35/45/55	RH-LH	MicroCore®
686 Silver Pigeon I Vittoria (B-Fast)	12	76	67-71-76	6x6	OCHP	5 Chokes	35/45/55	RH-LH	MicroCore®
686 Silver Pigeon I Vittoria	20	76	67-71-76	6x6	OCHP	5 Chokes	35/45/55	RH-LH	MicroCore®
687 Silver Pigeon III Vittoria	12	76	67-71-76	6x6	OCHP	5 Chokes	35/45/55	RH-LH	MicroCore®
687 Silver Pigeon III Vittoria (B-Fast)	12	76	67-71-76	6x6	OCHP	5 Chokes	35/45/55	RH-LH	MicroCore®
687 Silver Pigeon III Vittoria	20	76	67-71-76	6x6	OCHP	5 Chokes	35/45/55	RH-LH	MicroCore®

687 SILVER PIGEON III



Model	Gauge	Chamber (mm)	Barrel (cm)	Rib (type)	Chokes (type)	Accessories	Drop (mm/mm)	Cast	Pad
687 Silver Pigeon III	12	76	67-71-76	6x6	OCHP	5 Chokes	35/55 - 38/60	RH-LH	MicroCore®
687 Silver Pigeon III (B-Fast)	12	76	67-71-76	6x6	OCHP	5 Chokes	38/60	RH-LH	MicroCore®
687 Silver Pigeon III	20	76	67-71-76	6x6	OCHP	5 Chokes	35/55 - 38/60	RH-LH	MicroCore®
687 Silver Pigeon III	28	76	67-71-76	6x6	OCHP	5 Chokes	35/55 - 38/60	RH-LH	MicroCore®
687 Silver Pigeon III	.410	76	67-71-76	6x6	OCHP	5 Chokes	35/55 - 38/60	RH-LH	MicroCore®





Optima Choke HP chokes

Steelium Optima
Bore HP barrels

687 Silver Pigeon III

THE BEAUTY OF A PERFECT SHOT



The 687 Silver Pigeon III shotgun represents an elegant evolution of the Silver Pigeon I, designed to meet the needs and desires of shooters looking for the reliability and minimal maintenance requirements of the 680 platform, presented with attractive aesthetics and a superior wood finish. The fine engraving is made with state-of-the-art 5-axis laser technology and is embellished by a special sparkle in the bas-relief areas, which creates a pleasant contrast effect. The floral motifs and evocative game scenes are highlighted with pheasants and partridges. The exquisite gloss finish enhances the grain of the stunning class 2.5 wood, protects it from rain and improves longevity. All these features are combined with the excellent ballistics guaranteed by the Steelium Optima Bore HP tri-alloy steel barrels.

687 EELL Diamond Pigeon



687 EELL Diamond Pigeon Game scene



687 EELL Diamond Pigeon Scroll

The exceptionally strong, low-profile receiver is elegantly adorned with exquisite game scene and intricate scroll engravings, made with the best in class premium laser engraving technology. The stock and forend are superior quality walnut embellished with hand cut chequering and lustrous gloss finish, demonstrating how improved performance and refined beauty can be perfectly matched.

Model	Gauge	Chamber (mm)	Barrel (cm)	Rib (type)	Chokes (type)	Accessories	Drop (mm/mm)	Cast	Pad
687 EELL Diamond Pigeon	12	76	67-71-76	6x6	OCHP	5 Chokes	35/55 - 38/60	RH-LH	Wood
687 EELL Diamond Pigeon	12	76	71-76	6x6	FX (****/****)	-	35/55 - 38/60	RH-LH	Wood
687 EELL Diamond Pigeon	20	76	67-71-76	6x6	OCHP	5 Chokes	35/55 - 38/60	RH-LH	Wood
687 EELL Diamond Pigeon	20	76	71-76	6x6	FX (****/****)	-	35/55 - 38/60	RH-LH	Wood
687 EELL Diamond Pigeon	28	70	67-71-76	6x6	OCHP	5 Chokes	35/55 - 38/60	RH	Wood
687 EELL Diamond Pigeon	.410	76	67-71	6x6	MC	5 Chokes	35/55 - 38/60	RH	Wood
687 EELL Diamond Pigeon	20/28	76/70	67-71	6x6	HP	5x2 Chokes	35/55 - 38/60	RH	Wood
687 EELL Diamond Pigeon	28/410	70/76	67-71	6x6	HP/MC	5x2 Chokes	35/55 - 38/60	RH	Wood

486 *Parallelo*



486 Parallelo

486 Parallelo EL

486 Parallelo EL Color-case

Built with a beautifully proportioned, scroll engraved, round body receiver, the 486 is a modern classic in the making. Using a modified demi-block design, Beretta's 'Triblock' system allows for a seamless barrel profile in the best English tradition whilst the V spring mechanism ensures fast, crisp trigger pulls.

Model	Gauge	Chamber (mm)	Barrel (cm)	Rib (type)	Chokes (type)	Accessories	Drop (mm/mm)	Cast	Pad
486 Parallelo	12	76	66-71-76	10x5,5	OCHP	5 Chokes	37/59	RH	Wood
486 Parallelo	12	76	71	10x5,5	FX (***/*), FX (****/****)	-	37/59	RH	Wood
486 Parallelo	12	76	76	10x5,5	FX (****/****)	-	37/59	RH	Wood
486 Parallelo	20	76	66-71-76	10x5,5	OCHP	5 Chokes	37/59	RH	Wood
486 Parallelo	28	70	71	10x5,5	OCHP	5 Chokes	37/59	RH	Wood
486 Parallelo EL	20	76	66-71-76	10x5,5	OCHP	5 Chokes	37/59	RH	Wood
486 Parallelo EL Color Case	20	76	66-71-76	10x5,5	OCHP	5 Chokes	37/59	RH	Wood



THE 9 REASONS TO CHOOSE THE BERETTA SEMI-AUTO TECHNOLOGY

1 PERFECT PATTERNS ON EVERY SHOT.
The ingredients of the great accuracy of the Beretta Steelium barrels are: the exclusive tri-alloy Beretta Steel (Ni, Cr, Mo), the deep drilling, the cold hammering process and the vacuum distension. Every OptimaBore HP barrel profile has been specifically designed and tested to provide perfect accuracy with every type of shells: lead, steel and steel High Performance.

4 ALL-LOAD PROVEN RELIABILITY, FROM 24 G. TO 64 G.
Beretta gas-operating system B-Link is world's most reliable system. The closing force is stronger because, when the reloading cycle begins, the energy available to unlock the bolt is significantly higher. Higher energy when opening allows higher closing force, preventing the bolt to unlock when it is not supposed to do it.

7 LOWEST MUZZLE JUMP.
Beretta semi-auto shotguns give you the lowest muzzle jump ever combining the stunning recoil reduction of the Kick-Off devices with the unique ballistic features of the Steelium OptimaBore HP barrels. More control after each shot, better performance for each next one.

2 THE BEST RECOIL REDUCTION.
Kick-Off, Kick-Off Plus and Kick-Off Mega ensure you up to 70% recoil reduction giving you more stability, comfort and control for faster target acquisition. More comfort for you, especially when you enjoy shooting hundreds of shots in a single day, and enhanced durability.

5 COMFORT AND EASY TO ASSEMBLE.
The MicroCore® pad is softer than gel, lighter than rubber and perfectly slipping. It's available in several dimensions to customize your length of pull. The magazine cap allows a quicker and better safety check on the shotguns magazine. The B-Lok cap, the magazine cap exclusive to Beretta, ensures a perfect and secure closing with just 60 degrees of rotation instead of multiple turns.

8 ERGONOMIC AND EASY TO OPERATE.
The extended bolt handle and bolt release low profile lever allow for easier manipulation during the coldest and rainiest days. An enlarged loading port facilitates an easier and quicker reloading. The new extended lifter avoids thumb bite or glove catch while loading the gun.

3 UNBELIEVABLE RELOADING SPEED (+36%).
The Beretta gas-operated system is fast like an eye's blink. That's why it's called B-Link. The power of the gas-system, combined with the precision of the rotating bolt, ensure you a fast, reliable and smart cycling. You can spend all your magazine's cartridges before the 1st round touches the ground.

6 CLEANER THAN EVER AND EASIER TO CLEAN.
With B-Link, the only weak point of the gas-operating system has been practically reduced to zero. The re-engineering of gas ports and the systematic reduction of all the mechanical frictions reduce dirt to the minimum terms. You will experience the lowest maintenance need ever, and a smart, easy, fast and secure cleaning.

9 DESIGNED FOR THE FUTURE, NEVER FORGETTING TRADITION.
The Beretta in-house design team works every day to match design with functionality, giving you original and aesthetically beautiful, simple solutions that optimize the shape, weight and ease of use.

A300 Outlander



A300 Outlander Silver



A300 Outlander

The A300 Outlander is the latest evolution of Beretta's A300-series gas-operated semi-auto shotguns, which have been sold to millions of hunters and sportsmen around the world. And there's a reason for their popularity: unbeatable performance as well as great value out of the box.

A300 Outlander



A300 Outlander Camo MAX-5®



A300 Outlander Synthetic

Model	Gauge	Chamber (mm)	Barrel (cm)	Rib (type)	Chokes (type)	Accessories	Pad
A300 Outlander Silver	12	76	66-71-76	6x6	MC	3 Chokes (*/***/*****)	MicroCore®
A300 Outlander	12	76	66-71-76	6x6	MC	3 Chokes (*/***/*****)	MicroCore®
A300 Outlander Camo MAX-5®	12	76	66-71-76	6x6	MC	3 Chokes (*/***/*****)	MicroCore®
A300 Outlander Synthetic	12	76	66-71-76	6x6	MC	3 Chokes (*/***/*****)	MicroCore®

A400
LITE



A400 Lite Synthetic



A400 Lite Synthetic LH

The Beretta A400 Lite is a hunting shotgun that does it all, and that doesn't mind playing hard and getting dirty.

It's a 3" semi-auto shotgun combining the Kick-Off Plus shock absorption, the unrivalled Beretta Steelium barrels and a great package of smart, lightweight polymeric solutions.

Fast, versatile, light and low-recoiling, the A400 Lite Synthetic is also self-cleaning, requiring much less maintenance than you can expect.



A400 Lite Camo MAX-5®

Model	Gauge	Chamber (mm)	Barrel (cm)	Rib (type)	Chokes (type)	Accessories	Pad
A400 Lite Synthetic	12	76	66-71-76	6x6	OCHP	3 Chokes (*/***/*****)	MicroCore®
A400 Lite Synthetic Left Handed	12	76	66-71-76	6x6	OCHP	3 Chokes (*/***/*****)	MicroCore®
A400 Lite Synthetic	20	76	66-71-76	6x6	OCHP	3 Chokes (*/***/*****)	MicroCore®
A400 Lite Camo MAX-5®	12	76	66-71-76	6x6	OCHP	3 Chokes (*/***/*****)	MicroCore®
A400 Lite Camo MAX-5®	20	76	66-71-76	6x6	OCHP	3 Chokes (*/***/*****)	MicroCore®

A400 Xplor ACTION



A400 Xplor Action

Shoot everything, every time, better.
Beautiful, versatile, lightweight and intelligent. Available in 12 gauge – also left handed – and in 20 and 28,
the A400 Xplor Action is the perfect semi-automatic shotgun for all your upland hunts.
A400 Xplor Action is also available for left-handed shooters and with the Kick-Off system, reducing muzzle rise and recoil up to 60%.

Model	Gauge	Chamber (mm)	Barrel (cm)	Rib (type)	Chokes (type)	Accessories	Pad
A400 Xplor Action	12	76	66-71-76	6x6	OCHP	3 Chokes (*/***/*****)	MicroCore®
A400 Xplor Action	20	76	66-71-76	6x6	OCHP	3 Chokes (*/***/*****)	MicroCore®
A400 Xplor Action	28	70	66-71-76	5x5	OCHP	3 Chokes (*/***/*****)	MicroCore®
A400 Xplor Action Left-Handed	12	76	66-71-76	6x6	OCHP	3 Chokes (*/***/*****)	MicroCore®
A400 Xplor Action Kick-Off	12	76	66-71-76	6x6	OCHP	3 Chokes (*/***/*****)	MicroCore®
A400 Xplor Action Left-Handed Kick-Off	12	76	66-71-76	6x6	OCHP	3 Chokes (*/***/*****)	MicroCore®
A400 Xplor Action Slug	12	76	56-61	-	FX (*****)	-	MicroCore®
A400 Xplor Action Kick-Off Slug	12	76	56-61	-	FX (*****)	-	MicroCore®

A400
ultra LITE



A400 Ultralite

Much more than light, Ultralite.
The 3" semi-auto shotgun with full-length carbon fiber top rib and carbon fiber pistol grip cap, bringing weight down to 2,7 Kg without shortening the magazine capacity. Black anodized aluminium-alloy receiver with technological laser engraving and super-lightweight woods. Simply amazing.

Model	Gauge	Chamber (mm)	Barrel (cm)	Rib (type)	Chokes (type)	Accessories	Pad
A400 Ultralite	12	76	61-66-71	6x6 Carbon fiber	OCHP	3 Chokes (*/**/*****)	MicroCore®

A400 Upland



A400 Upland

Model	Gauge	Chamber (mm)	Barrel (cm)	Rib (type)	Chokes (type)	Accessories	Pad
A400 Upland Kick-Off Plus	12	76	66-71-76	6x6	OCHP	3 Chokes (*/***/*****)	MicroCore®
A400 Upland	12	76	66-71-76	6x6	OCHP	3 Chokes (*/***/*****)	MicroCore®
A400 Upland Kick-Off Plus	20	76	66-71-76	6x6	OCHP	3 Chokes (*/***/*****)	MicroCore®
A400 Upland	20	76	66-71-76	6x6	OCHP	3 Chokes (*/***/*****)	MicroCore®

A400
Upland



A400 Upland Kick-Off Plus

The A400 Upland is the very first Beretta shotgun featuring an innovative wood stock with the Kick-Off Plus technology, that reduces recoil up to 40%. The nickel plated receiver is completed by an exquisite game scene engraving.

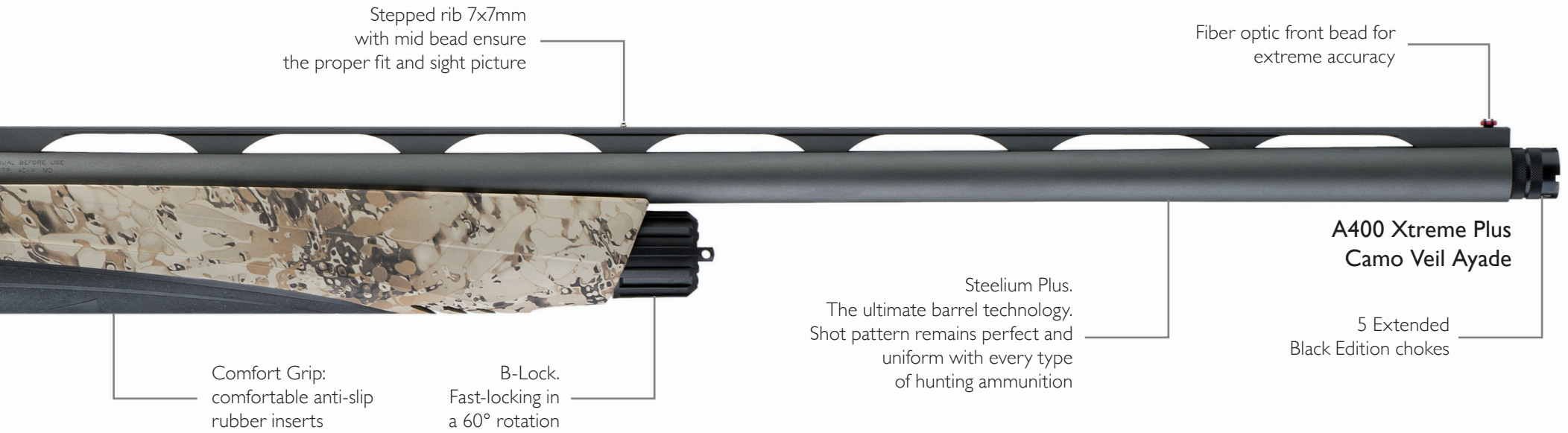
The new design of the pistol grip and forend improves the gun comfort and enhances the overall look.

The A400 Upland is a great combination of the latest technologies with a classic look, for all the hunters that are looking for the best shooting experience.

A400 Xtreme PLUS



Model	Gauge	Chamber (mm)	Barrel (cm)	Rib (type)	Chokes (type)	Accessories	Pad
A400 Xtreme Plus Synthetic	12	89	66-71-76	7x7	OCHP	5 Chokes Ext. Black Edition (**/**/**/**/**/**/**/**/**/**)	MicroCore®
A400 Xtreme Plus Camo MAX-5®	12	89	66-71-76	7x7	OCHP	5 Chokes Ext. Black Edition (**/**/**/**/**/**/**/**/**/**)	MicroCore®
A400 Xtreme Plus Camo Mossy Oak Bottomland	12	89	66-71-76	7x7	OCHP	5 Chokes Ext. Black Edition (**/**/**/**/**/**/**/**/**/**)	MicroCore®
A400 Xtreme Plus Camo Shadow Grass Blades	12	89	66-71-76	7x7	OCHP	5 Chokes Ext. Black Edition (**/**/**/**/**/**/**/**/**/**)	MicroCore®
A400 Xtreme Plus Camo True Timber DRT	12	89	66-71-76	7x7	OCHP	5 Chokes Ext. Black Edition (**/**/**/**/**/**/**/**/**/**)	MicroCore®
A400 Xtreme Plus Camo Optifade™ Marsh	12	89	66-71-76	7x7	OCHP	5 Chokes Ext. Black Edition (**/**/**/**/**/**/**/**/**/**)	MicroCore®
A400 Xtreme Plus Camo Optifade™ Timber	12	89	66-71-76	7x7	OCHP	5 Chokes Ext. Black Edition (**/**/**/**/**/**/**/**/**/**)	MicroCore®
A400 Xtreme Plus Prairie True Timber DRT	12	89	66-71-76	7x7	OCHP	5 Chokes Ext. Black Edition (**/**/**/**/**/**/**/**/**/**)	MicroCore®
A400 Xtreme Plus Camo Veil Avayde	12	89	66-71-76	7x7	OCHP	5 Chokes Ext. Black Edition (**/**/**/**/**/**/**/**/**/**)	MicroCore®



Stepped rib 7x7mm with mid bead ensure the proper fit and sight picture

Fiber optic front bead for extreme accuracy

**A400 Xtreme Plus
Camo Veil Ayade**

Steelium Plus.
The ultimate barrel technology.
Shot pattern remains perfect and uniform with every type of hunting ammunition

5 Extended
Black Edition chokes

Comfort Grip:
comfortable anti-slip
rubber inserts

B-Lock.
Fast-locking in
a 60° rotation

Available in the following versions



Mossy Oak
Bottomland



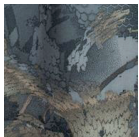
Shadow Grass
Blades



True Timber
DRT



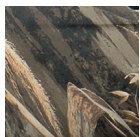
Optifade™ Marsh



Optifade™
Timber



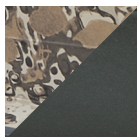
Synthetic



Camo MAX-5®



A400 Xtreme
Plus Camo Veil
Ayade

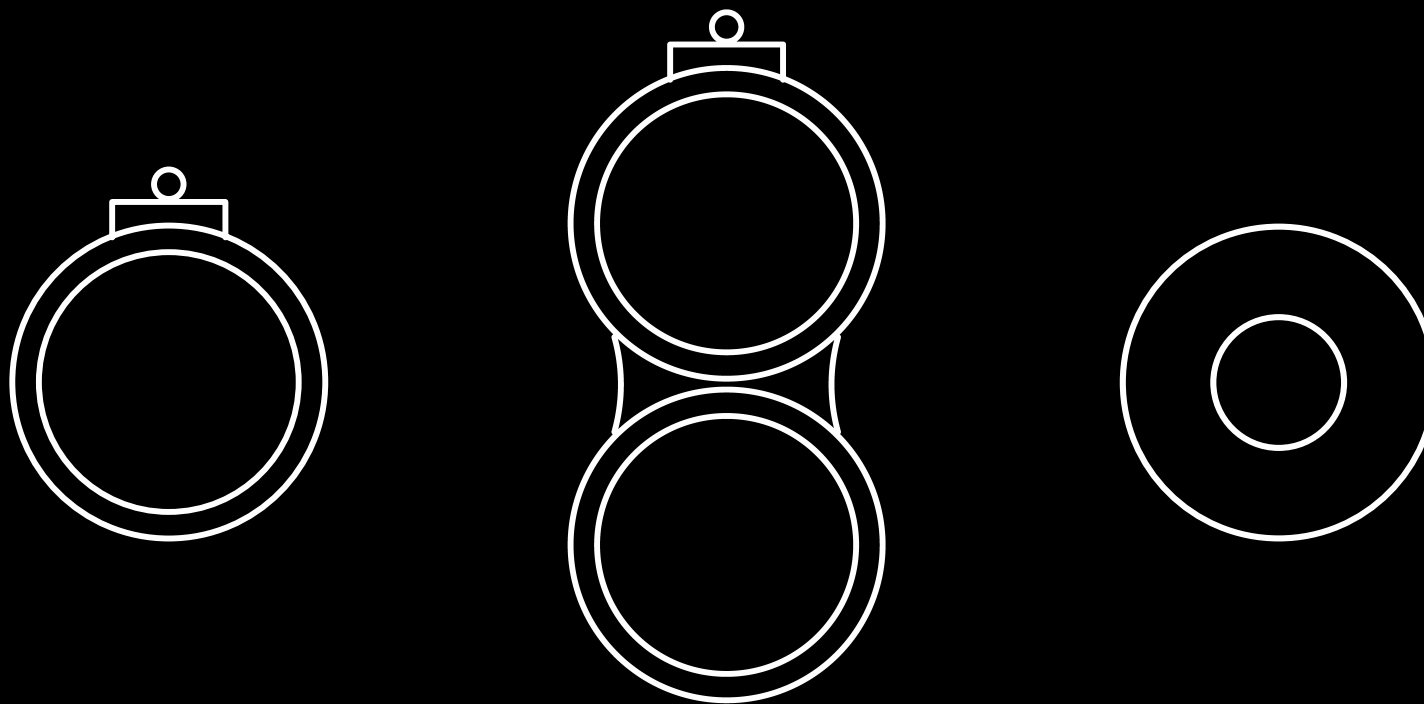


A400 Xtreme
Plus Prairie True
Timber DRT

Xtreme preparations, Xtreme conditions, Xtreme expectations. The new A400 Xtreme Plus is built to go wherever your hunt takes you. Engineered to be the softest-shooting, most reliable 3.5" waterfowl shotgun out there, and to withstand the toughest waterfowl environments.

It has the best recoil and muzzle rise reduction system in the world: the Kick-Off Mega, combining 3 hydraulic shock-absorbers and return springs to reduce recoil up to 70% and the B-Steady system, avoiding the annoying sliding of the nose piece on the cheek, to let your face perfectly firm on the stock and never lose the line of sight. It features Beretta's exclusive Steelium Plus barrels, providing the best possible patterning from all hunting loads. An extended charging handle and bolt release from the factory allow for easier manipulation during the coldest and rainiest days. An enlarged loading port allows for ease of loading.

The new A400 Xtreme Plus shoots always, shoots everything and shoots even better!



NEW RELEASES ARE COMING IN 2021

At Beretta, we constantly look for and develop new solutions to help you enjoying your passion at best. This year, we are going to provide you with unexpected new products that will empower your outdoor experience.

BE THE FIRST TO KNOW

JOIN OUR NEWSLETTER:



news.beretta.com

FOLLOW US ON SOCIAL:



facebook.com/BERETTAofficial



instagram.com/BERETTAofficial



youtube.com/BERETTAvideos



twitter.com/BERETTA_1526



EVERY BIG WIN IS MADE OF SMALL VICTORIES

Behind every smashed clay there is a wealth of details that have been studied and developed with the world's no. 1 shooters. So, every detail of your shotgun, clothing, and accessories will really make a difference the next time you step onto the shooting field. Tag your passion for shooting with

#1CHOICEOFCHAMPIONS



**THE N°1 CHOICE
OF CHAMPIONS**



Hand fitting by Beretta Premium Gunsmiths

Factory Balance

Interchangeable Barrel Shoulders

Hand-engraved anti-glare finishing

B-Fast Balance

Protection against the sun reflection

Inner sweatband

High grade selected walnut stock

Perfectly adjustable

Maximum perception during the shoot

Designed on the shooter's movements

Reduced felt recoil

Technical fabric

MicroCore® recoil pad

Fast and precise shouldering

Easy customizable

Reduced muzzle rise

Barrell accuracy 100% tested

Steelium Pro barrel

Cold hammer forging

Proprietary tri alloyed steel

Improved pattern distribution

Smoother swing

Modified single base rib for better heat dissipation

Center-mass low and coaxial

18 inches forcing cone

Vacuum distension

Wide receiver Deep drilling

Detachable trigger group

V-spring trigger group

Adjustable trigger

No itch

Extremely breathable

Protection, perception and freedom

Excellent breathability

Badge chest

Perfect fit

Earmuff/towel binding on both sides

686 SILVER PIGEON I



686 Silver Pigeon I Sporting

The Beretta's most popular over and under shotgun of all time. Based on the superb 680 platform, with its unmistakable low, slim action and legendary, ultra reliable mechanism; it won the hearts of shooting enthusiasts the world over.

The new version incorporates the perfect ballistics of Beretta's highly reputed Steelium Optima Bore HP barrels. It also features a more defined and lustrous floral engraving, which is further enhanced with images of grapes on the vine and the iconic Beretta Trident logo on both side of the action.

The competition version is available in all calibers, 12, 20, 28 and .410, with or without Beretta adjustable B-Fast stock. All of which combines to make the 686 Silver Pigeon I the most elegant, well-balanced and quick-to-shoulder, factory-made shotgun in the world.

Model	Gauge	Chamber (mm)	Barrel (cm)	Rib (type)	Chokes (type)	Accessories	Drop (mm/mm)	Cast	Forend
686 Silver Pigeon I Sporting	12	76	71-76-81	10x8	OCHP	5 Chokes	36,5/57,5	RH-LH	Schnabel
686 Silver Pigeon I Sporting (B-Fast)	12	76	76	10x8	OCHP	5 Chokes	-	RH-LH	Schnabel
686 Silver Pigeon I Sporting (B-Fast)	20	76	76	8x8	OCHP	5 Chokes	-	RH-LH	Schnabel
686 Silver Pigeon I Sporting (B-Fast)	28	70	76	8x8	OCHP	5 Chokes	-	RH-LH	Half Beavertail
686 Silver Pigeon I Sporting (B-Fast)	.410	76	76	8x8	MC	5 Chokes	-	RH-LH	Half Beavertail
686 Silver Pigeon I Trap (B-Fast)	12	76	76	10x8	OCHP	5 Chokes	-	RH-LH	Schnabel




694 Sporting Vittoria (B-Fast)

686 Silver Pigeon I Sporting Vittoria (B-Fast)

The Vittoria series is the first Beretta's shotgun range specifically designed for women. Vittoria shotguns feature a dedicated ergonomics, suited to those with a shorter stature, to ensure a smooth, comfortable and precise handling. These guns are fitted with a shortened, semi-Montecarlo style stock, have a reduced pistol grip and additionally are completed by a 1 mm checkering, derived from the premium guns, beneficial for smaller hands.

Model	Gauge	Chamber (mm)	Barrel (cm)	Rib (type)	Chokes (type)	Accessories	Drop (mm/mm)	Cast	Forend
686 Silver Pigeon I Sporting Vittoria	12	76	71-76-81	10x8	OCHP	5 Chokes	35/45/55	RH-LH	Schnabel
686 Silver Pigeon I Sporting Vittoria (B-Fast)	12	76	76	10x8	OCHP	5 Chokes	35/45/55	RH-LH	Schnabel
686 Silver Pigeon I Sporting Vittoria	20	76	76	8x8	OCHP	5 Chokes	35/45/55	RH-LH	Schnabel
687 Silver Pigeon III Sporting Vittoria (B-Fast)	12	76	71-76-81	10x8	OCHP	5 Chokes	35/45/55	RH-LH	Schnabel
687 Silver Pigeon III Sporting Vittoria (B-Fast)	20	76	76	8x8	OCHP	5 Chokes	35/45/55	RH-LH	Schnabel
694 Sporting Vittoria (B-Fast)	12	76	71-76-81	10x8	OCHP	5 Chokes, Extended	35/45/55	RH-LH	Schnabel-Rounded
694 Trap Vittoria (B-Fast)	12	76	76-81	10x10	FX (**/*)	-	35/45/55	RH-LH	Beavertail-Rounded

687 SILVER PIGEON III



Model	Gauge	Chamber (mm)	Barrel (cm)	Rib (type)	Chokes (type)	Accessories	Drop (mm/mm)	Cast	Pad
687 Silver Pigeon III Sporting	12	76	67-71-76	6x6	OCHP	5 Chokes	35/55 - 38/60	RH-LH	MicroCore®
687 Silver Pigeon III Sporting (B-Fast)	12	76	67-71-76	6x6	OCHP	5 Chokes	38/60	RH-LH	MicroCore®
687 Silver Pigeon III Sporting	20	76	67-71-76	6x6	OCHP	5 Chokes	35/55 - 38/60	RH-LH	MicroCore®
687 Silver Pigeon III Sporting	28	76	67-71-76	6x6	OCHP	5 Chokes	35/55 - 38/60	RH-LH	MicroCore®
687 Silver Pigeon III Sporting	.410	76	67-71-76	6x6	OCHP	5 Chokes	35/55 - 38/60	RH-LH	MicroCore®





Optima Choke HP chokes

687 Silver Pigeon III Sporting

Steelium Optima
Bore HP barrels

THE BEAUTY OF A PERFECT SHOT



The 687 Silver Pigeon III shotgun represents an elegant evolution of the Silver Pigeon I, designed to meet the needs and desires of shooters looking for the reliability and minimal maintenance requirements of the 680 platform, presented with attractive aesthetics and a superior wood finish. The fine engraving is made with state-of-the-art 5-axis laser technology and is embellished by a special sparkle in the bas-relief areas, which creates a pleasant contrast effect. The floral motifs and evocative game scenes are highlighted with pheasants and partridges. The exquisite gloss finish enhances the grain of the stunning class 2.5 wood, protects it from rain and improves longevity. All these features are combined with the excellent ballistics guaranteed by the Steelium Optima Bore HP tri-alloy steel barrels.

690



690 Black Edition Sporting

690 Sporting and Trap are the competition over and unders to make your quantum leap in shooting performance.

Thanks to the Steelium barrels and to the outstanding balance, the 690 competition shotguns provide accuracy, ease of handling and perfect control. Exactly what you need when you start aiming to your first 25.

Model	Gauge	Chamber (mm)	Barrel (cm)	Rib (type)	Chokes (type)	Accessories	Drop (mm/mm)	Cast	Forend
690 Black Edition Sporting	12	76	71-76-81	10x8	OCHP	5 Chokes, Extended	35/55	RH-LH	Schnabel-Rounded
690 Black Edition Sporting (B-Fast)	12	76	71-76-81	10x8	OCHP	5 Chokes, Extended	-	RH-LH	Schnabel-Rounded
690 Black Edition Trap	12	70	76-81	10x10	FX (**/*)	-	29/39	RH-LH	Schnabel-Rounded
690 Black Edition Trap (B-Fast)	12	70	76-81	10x10	FX (**/*)	-	-	RH-LH	Schnabel-Rounded

694



694 Sporting



694 ACS (B-Fast)

694 is the over and under platform designed specifically for clay shooting, and with a precise objective in mind: to help shooters increase their success rate. Thanks to a meticulous mechanical and ergonomic design process, the 694 is perfectly balanced, natural and immediate when shouldering. The shape of the action and the stock provide increased field of vision, while the new forend iron system allows to maintain the opening load constant over time, and the Steelium Plus barrels guarantee a dense, uniform pattern every time.

In addition to the Sporting and Trap version, the 694 is now available also in Down-The-Line, ACS (with adjustable top rib), Vittoria and Pro version (with adjustable TSK stock).

Model	Gauge	Chamber (mm)	Barrel (cm)	Rib (type)	Chokes (type)	Accessories	Drop (mm/mm)	Cast	Forend
694 Sporting	12	76	71-76-81	10x8	OCHP	5 Chokes	35/50 - 35/55	RH-LH	Schnabel-Rounded
694 Sporting (B-Fast)	12	76	71-76-81	10x8	OCHP	5 Chokes	35/55	RH-LH	Schnabel-Rounded
694 Trap	12	70	76-81	10x10	FX(**/*)	-	35/45 - 29/39	RH-LH	Beavertail-Rounded
694 Trap (B-Fast)	12	70	76-81	10x10	FX(**/*)	-	35/45	RH-LH	Beavertail-Rounded
694 ACS (B-Fast)	12	76	76-81	10x8 Adjustable	OCHP	5 Chokes	35/55	RH-LH	Schnabel-Rounded
694 DTL	12	76	76	10x8	OCHP	5 Chokes	35/45 - 29/39	RH-LH	Rounded
694 DTL (B-Fast)	12	76	76	10x8	OCHP	5 Chokes	35/45	RH-LH	Rounded
694 DTL Step Rib (B-Fast)	12	76	76	10x8 step rib	OCHP	-	40/40/58	RH-LH	Beavertail

694 PRO



Model	Gauge	Chamber (mm)	Barrel (cm)	Rib (type)	Chokes (type)	Accessories	Drop (mm/mm)	Cast	Forend
694 Pro Sporting	12	76	71-76-81	10x8	OCHP	5 Chokes	35/50 - 35/55	RH-LH	Schnabel-Rounded

694 PRO



694 Pro Sporting

The 694 is now available in Pro Version with TSK fully adjustable stock, adapting to the anatomy of the shoulder and shouldering system of all athletes. Designed and tested in collaboration with the Beretta Shooting Team, 694 is the new over and under platform designed specifically for clay pigeon shooting, and with a precise objective in mind: to help shooters increase their success rate. Thanks to a meticulous mechanical and ergonomic design process, the 694 represents a perfectly balanced over and under competition gun. Natural and immediate when shouldering, it features a precise swing and it is easy to control. The new shape of the action and the stock provide increased field of vision, while the new forend iron system allows the user to maintain the opening load constant over time, and the Steelium Plus barrels guarantee a dense, uniform pattern every time. The slim, modern design lends the 694 a “racing” feel, for a bold, winning look.

DT II



DT II Sporting

With DT II, balance, power and precision are in your hands, together with outstanding control and perfect trigger pull. The innovative Steelium PRO barrels ensure great pattern and reduced muzzle raise, while the wide receiver improves stability and ease of handling. The B-Fast adjusting devices provide the best ergonomics ever.

Model	Gauge	Chamber (mm)	Barrel (cm)	Rib (type)	Chokes (type)	Accessories	Drop (mm/mm)	Cast	Forend
DT II Sporting	12	76	71-76-81	10x8	OCHP	5 Chokes	35/56-38/60-Headed	RH-LH	Schnabel-Rounded
DT II Sporting (B-Fast)	12	76	71-76-81	10x8	OCHP	5 Chokes	-	RH-LH	Schnabel-Rounded
DT II Skeet	12	70	71-73	10x8	OCHP	5 Chokes	35/56-38/60-Headed	RH-LH	Schnabel-Rounded
DT II Skeet (B-Fast)	12	70	71-73	10x8	OCHP	5 Chokes	-	RH-LH	Schnabel-Rounded
DT II Trap	12	70	75-76	10x10	FX (**/*)	-	29/39-32/42-34/44-Headed	RH-LH	Beavertail-Rounded
DT II Trap (B-Fast)	12	70	75-76	10x10	FX (**/*)	-	-	RH-LH	Beavertail-Rounded
DT II ACS (B-Fast)	12	76	76-81	10x8 Adjustable	OCHP	5 Chokes	Montecarlo Ad.	RH-LH	Schnabel-Rounded
DT II XTrap (B-Fast)	12	76	76-81	Adjustable	OCHP	5 Chokes	Montecarlo Ad.	RH-LH	Beavertail-Rounded
DT II L Sporting Floral	12	76	71-76-81	10x8	OCHP	5 Chokes	35/56-38/60-Headed	RH-LH	Schnabel-Rounded
DT II L Sporting Floral (B-Fast)	12	76	71-76-81	10x8	OCHP	5 Chokes	-	RH-LH	Schnabel-Rounded
DT II L Sporting Game scene	12	76	71-76-81	10x8	OCHP	5 Chokes	35/56-38/60-Headed	RH-LH	Schnabel-Rounded
DT II L Sporting Game scene (B-Fast)	12	76	71-76-81	10x8	OCHP	5 Chokes	-	RH-LH	Schnabel-Rounded
DT II LTrap Floral	12	70	75-76	10x10	FX (**/*)	-	29/39-32/42-34/44-Headed	RH-LH	Beavertail-Rounded
DT II LTrap Floral (B-Fast)	12	70	75-76	10x10	FX (**/*)	-	-	RH-LH	Beavertail-Rounded
DT II EELL Sporting	12	76	71-76-81	10x8	OCHP	5 Chokes	35/56 - 38/60	RH-LH	Rounded
DT II EELL Sporting	12	76	71-76-81	10x8	OCHP	5 Chokes	Headed	RH	Rounded
DT II EELL Sporting (B-Fast)	12	76	71-76-81	10x8	OCHP	5 Chokes	-	RH-LH	Rounded
DT II EELL Trap	12	70	75-76	10x10	FX (**/*)	-	29/39-32/42	RH-LH	Rounded
DT II EELL Trap	12	70	75-76	10x10	FX (**/*)	-	Headed	RH	Rounded
DT II EELL Trap (B-Fast)	12	70	75-76	10x10	FX (**/*)	-	-	RH-LH	Rounded
DT II DTL (B-Fast)	12	76	76	10x10	OCHP	5 Chokes	35/45	RH-LH	Rounded



DT II GOLD



DTII Gold Sporting

Created to celebrate the DTII's many successes, not least the medals won at the Olympics! The DTII Gold is a limited-edition version of Beretta's spectacular competition shotgun. The silver receiver is embellished with gold-plated decorations; the familiar blue line around the action is replaced with a gold-plated version, as is the iconic trident logo on the bottom of the receiver. The fences are embellished with a repeated engraving of the word 'gold' forming a textured finish that reduces the light reflection when shooting.

The DTII Gold has been made in three specifications: with only 250 pieces available for Trap, 75 for the skeet, 200 for the Sporting and 200 for the Compak Sporting; all limited edition shotguns are numbered on the underside of the receiver.

Model	Gauge	Chamber (mm)	Barrel (cm)	Rib (type)	Chokes (type)	Accessories	Drop (mm/mm)	Cast	Forend
DTII Gold Trap	12	70	76	10x10	FX	-	29/39	RH-LH	Rounded
DTII Gold Skeet	12	70	73	10x8	OCHP	5 Chokes	35/56	RH	Rounded
DTII Gold Sporting	12	76	76-81	10x8	OCHP	5 Chokes	35/56 - 38/60	RH	Rounded

DT II BLACK EDITION



DT II Black Pro Sporting

DT II Black: the highest expression of the Beretta competition over and under, now in a black and hyper-technological edition. Carbon fiber top rib, carbon fiber trigger plate and the most complete B-Fast ever, now featuring both stock and barrel balancing system. The choice of champions, now in Black Edition.

Model	Gauge	Chamber (mm)	Barrel (cm)	Rib (type)	Chokes (type)	Accessories	Drop (mm/mm)	Cast	Forend
DT II Black Pro Sporting	12	76	81	10x10 Carbon fiber	OCHP	5 Chokes	-	RH-LH - Size L	Rounded
DT II Black Pro Trap	12	70	76	10x10 Carbon fiber	FX (**/*)	-	-	RH-LH - Size L	Rounded
DT II Black Pro Skeet	12	70	76	10x10 Carbon fiber	OCHP	5 Chokes	-	RH-LH - Size L	Rounded
DT II Black Edition Sporting	12	76	76-81	10x10 Carbon fiber	OCHP	5 Chokes	35/56-38/60-Headed	RH-LH	Schnabel-Rounded
DT II Black Edition Sporting (B-Fast)	12	76	76-81	10x10 Carbon fiber	OCHP	5 Chokes	-	RH-LH	Schnabel-Rounded
DT II Black Edition Trap	12	70	76-81	10x10 Carbon fiber	FX (**/*)	-	32/42-Headed	RH-LH	Rounded
DT II Black Edition Trap (B-Fast)	12	70	76-81	10x10 Carbon fiber	FX (**/*)	-	-	RH-LH	Rounded
DT II Black Edition Skeet	12	70	76	10x10 Carbon fiber	OCHP	5 Chokes	Headed	RH-LH	Rounded
DT II Black Edition Skeet (B-Fast)	12	70	76	10x10 Carbon fiber	OCHP	5 Chokes	-	RH-LH	Rounded



**DT11 Black Edition EELL Sporting**

The EELL version of the DT11 Black Edition brings the use of carbon fiber to levels never reached before in the firearms world. In addition to the top rib, the trigger plate, and the trigger group, the Beretta DT11 Black Edition EELL over and under shotgun also features carbon fiber trigger guard and two innovative long side plates, in which the engraving gives way to the characteristic carbon fiber twill texture.

The stock, made of selected grade 4 walnut wood, is available in an adjustable, fixed or headed version.

The oil finishing provides the wood with higher water resistance. The hand made 1 mm checkering gives the stock a more refined look and a firm and comfortable grip.

Model	Gauge	Chamber (mm)	Barrel (cm)	Rib (type)	Chokes (type)	Accessories	Drop (mm/mm)	Cast	Forend
DT11 Black Edition EELL Sporting	12	76	76-81	10x10 Carbon fiber	OCHP	5 Chokes	35/56-38/60	RH-LH	Rounded
DT11 Black Edition EELL Sporting	12	76	76-81	10x10 Carbon fiber	OCHP	5 Chokes	Headed	RH-LH	Rounded
DT11 Black Edition EELL Sporting (B-Fast)	12	76	76-81	10x10 Carbon fiber	OCHP	5 Chokes	-	RH-LH	Rounded
DT11 Black Edition EELL Trap	12	70	76	10x10 Carbon fiber	FX (**/*)	-	29/39-32/42	RH-LH	Rounded
DT11 Black Edition EELL Trap	12	70	76	10x10 Carbon fiber	FX (**/*)	-	Headed	RH-LH	Rounded
DT11 Black Edition EELL Trap (B-Fast)	12	70	76	10x10 Carbon fiber	FX (**/*)	-	-	RH-LH	Rounded

A400 Xcel



A400 Xcel Sporting Black



A400 Xcel Multitarget

The purest shooting passion, powered by technological precision. The A400 Xcel is the most advanced competition semi-auto shotgun by Beretta, featuring B-link, Kick-Off, MicroCore®, Steelium, Optimabore HP and a balance cap.

Model	Gauge	Chamber (mm)	Barrel (cm)	Rib (type)	Chokes (type)	Accessories	Pad
A400 Xcel Multitarget (B-Fast)	12	76	71-76-81	Adjustable	OCHP	3 Chokes (**/**/****)	MicroCore®
A400 Xcel Multitarget Kick-Off (B-Fast)	12	76	71-76-81	Adjustable	OCHP	3 Chokes (**/**/****)	MicroCore®
A400 Xcel Sporting Black	12	76	71-76-81	10x10 Carbon fiber	OCHP	3 Chokes Black Edition (**/**/****)	MicroCore®
A400 Xcel Sporting Black Kick-Off	12	76	71-76-81	10x10 Carbon fiber	OCHP	3 Chokes Black Edition (**/**/****)	MicroCore®
A400 Xcel Sporting Vittoria	12	76	71-76-81	10x8	OCHP	3 Chokes (**/**/****)	MicroCore®

1301 Comp



1301 Comp

The Beretta 1301 Comp semiauto shotgun is designed to win tactical competitions right out of the box. Combining the technology of Beretta's best sporting shotguns with the requirements of the most demanding tactical shooters, it cycles faster than the other competition shotguns, handles like a dream and has oversized controls for super-easy operation.

It is available in two barrel lengths (53,5 and 61 cm) and its receiver is drilled and tapped for rail mounts, so that it can be equipped with optics or tactical aiming devices without any gunsmithing. And thanks to its Optimabore HP interchangeable choke system, it can also be adapted for other uses and will always perform like a Beretta.

Model	Gauge	Chamber (mm)	Barrel (cm)	Rib (type)	Chokes (type)	Accessories	Pad
1301 Comp	12	76	53,5	10x8 with step	OCHP	1 Choke (****/IC) - Extension	Rubber
1301 Comp	12	76	61	10x8 with step	OCHP	1 Choke (****/IC) - Extension	Rubber

1301 Comp PRO



1301 Comp Pro

After gaining the podiums of the Shotgun World Championships with its incomparable cycling speed, the 1301 Comp evolves in the Pro version, incorporating the improvements suggested by the multi-rated Beretta shooters. With the comfort, stability and ease of shouldering of its stock, its super-fast, safe and easier loading system, the enlarged bolt release button and bolt handle and the Beretta by Tony System extended magazine for 10 + 1 cartridges, the 1301 Comp Pro is today the most competitive platform for practical shooting, already in its out-of-the-box configuration, yet allowing further personalization, so sought after by the most demanding shooters.

Model	Gauge	Chamber (mm)	Barrel (cm)	Rib (type)	Chokes (type)	Accessories	Cast	Pad
1301 Comp PRO	12	76	53,5 - 61	10x8 with step	OCHP	3 Chokes Black Edition (**/****/*****)	RH-LH	MicroCore®





92X Performance

The 92X Performance: accuracy, power and speed the #1 choice of champions way. The new Beretta handgun specifically designed for competition does not accept compromises and aims to top performances, by bringing on the shooting ranges one of the most reliable locking systems ever, along with a full steel vertec frame, a heavier Brigadier slide and the new surprisingly fast and crisp Extreme-S trigger mechanism.

Model	Gauge	Action	Additional Magazines	Magazine Capacity (rounds)	Weight Unloaded (g)	Total Length (mm)	Barrel Length (mm)	Width (mm)	Height (mm)	Safety Position	Grips
92X Performance Production	9x19	S - D	1	15	1350	222	125	48	148	Frame	Plastic

IN 1915 BERETTA LAUNCHED
ITS FIRST SEMI-AUTO PISTOL.
DIFFERENT GENERATIONS OF BERETTA HANDGUNS
HAVE GONE THROUGH ALL THE GREAT CHALLENGES
OF THE LAST CENTURY.
TODAY, WITH MORE THAN A HUNDRED YEARS
OF EXPERIENCE IN THE FIELD, THE NEW PLATFORMS
ARE BORN WITH A CLEAR AWARENESS
OF THE NEEDS OF TACTICAL AND COMPETITION USERS
AND WITH CONSTANT ATTENTION
TO THE NEW FRONTIERS OF INNOVATION.

BERETTA TACTICAL PRODUCTS ARE
DEVELOPED, TESTED, AND BUILT
FOR THOSE WHO COME PREPARED TO WIN.
TRAIN WITH PASSION TO

#WINTHEFIGHT



TRAIN
— WITH —
PASSION

APX





APX Tactical

Specifically designed for military and law enforcement operators, the APX has been put through extensive testing and evaluation by professionals. The result is a pistol that delivers superior performance in durability and reliability, ergonomics, trigger, and modularity. Utilizing a removable, serialized chassis frame, the APX can be easily modified with replaceable grip frame housings and it is simple to disassemble and maintain. Each APX comes with 3 interchangeable back straps so users can best fit their hands and preferences. The APX's aggressive full length slide serrations make slide manipulations easy under any conditions. To accommodate right or left-handed use, the APX's magazine release button can be easily reversed, and the slide stop is ambidextrous. The APX's trigger breaks at 6lbs and has a clear tactile and audible very short reset. The APX truly is the ultimate striker fired pistol from Beretta.

Model	Gauge	Action	Additional Magazines	Magazine Capacity (rounds)	Weight Unloaded (g)	Total Length (mm)	Barrel Length (mm)	Width (mm)	Height (mm)	Safety Position	Grips
APX	9x19	Striker	1	15	800	192	108	33	142	Trigger	Int. backstraps
APX	.40 S&W	Striker	1	15	820	192	108	33	142	Trigger	Int. backstraps
APX Tactical	9x19	Striker	1	15	800	192	108	33	142	Trigger	Int. backstraps

APX



APX RDO



APX Combat

The APX RDO is an evolution of the APX full size featuring all the same modularity of the standard APX line with the addition of a factory slide cut to accept one of 4 different optic plates. At launch, the pistol plates support Mini-Red Dot Optics from Burris, Trijicon, Leupold, and C-More.

Also shipping with the pistol is a fixed blanking plate that covers the slide cut and allows the pistol to be used without optic mount. The APX Combat incorporates all the features of the RDO version, offering in addition a factory installed 1/2x28TPI Threaded barrel.

Model	Gauge	Action	Additional Magazines	Magazine Capacity (rounds)	Weight Unloaded (g)	Total Length (mm)	Barrel Length (mm)	Width (mm)	Height (mm)	Safety Position	Grips
APX Combat	9x19	Striker	1	17	820	208	125	33	142	Trigger	Int. backstraps
APX RDO	9x19	Striker	1	17	820	192	108	33	142	Trigger	Int. backstraps



APX
Centurion



APX
Compact



APX
Carry

The APX Centurion, APX Compact pistols and APX Carry extend the proven APX Series to a concealed carry friendly size, for those who have a need to carry concealed but want similar handling characteristics to their duty pistols. All the pistols feature a removable serialized chassis allowing the frame to be easily modified. Replaceable backstraps are also available to further customize the pistol ergonomics. These compact pistols keep offering the core characteristics that you love from your APX: low bore axis, ambidextrous slide catch, reversible magazine release, aggressive slide serrations, and a really smooth trigger with a clear tactile and audible short reset.

Model	Gauge	Action	Additional Magazines	Magazine Capacity (rounds)	Weight Unloaded (g)	Total Length (mm)	Barrel Length (mm)	Width (mm)	Height (mm)	Safety Position	Grips
APX Centurion	9x19	Striker	1	15	765	177	94	33	132	Trigger	Int. backstraps
APX Centurion	.40 S&W	Striker	1	13	785	177	94	33	132	Trigger	Int. backstraps
APX Compact	9x19	Striker	1	13	750	177	94	33	122	Trigger	Int. backstraps
APX Compact	.40 S&W	Striker	1	11	770	177	94	33	122	Trigger	Int. backstraps
APX Carry	9x19	Striker	1	6+1/8+1	562	143	79	23	106	Trigger	-

Px4



Px4 Storm
Inox



Px4 Storm
Special Duty



Px4 Storm
Compact



Px4 Storm
Compact Inox



Px4 Storm
SubCompact





Px4 Storm



Absolute durability, reliability, and ergonomics have made it the go-to choice for shooters around the world. Designed to meet the most stringent military standards of durability, the PX4 has been reported to fire well over 150,000 rounds with zero part breakage. The lines of the pistol are snag-free and make unholstering and reholstering easy and fluid. The pistol may be adapted to different hand sizes and shooting styles thanks to a modular design with interchangeable backstraps. The ambidextrous and reversible controls offer the possibility to easily train or shoot with either hand. Besides being one of the strongest actions available, the rotary barrel dissipates recoil away from the shooter's hand and greatly reduces muzzle jump, making it an extremely fast and accurate action. Disassembly is designed to allow for quick field stripping.

Model	Gauge	Action	Additional Magazines	Magazine Capacity (rounds)	Weight Unloaded (g)	Total Length (mm)	Barrel Length (mm)	Width (mm)	Height (mm)	Safety Position	Grips
PX4 Storm Type F	9x19	S - D	1	17	785	192	102	36	140	Slide	Int. backstraps
PX4 Storm Type G	9x19	S - D	1	17	785	192	102	36	140	LAC	Int. backstraps
PX4 Storm Inox	9x19	S - D	1	17	785	195	102	36	140	Slide	Int. backstraps
PX4 Storm Compact Type F	9x19	S - D	1	15	770	173	83	36	129	Slide	Int. backstraps
PX4 Storm Compact Inox	9x19	S - D	1	15	770	173	83	36	129	Slide	Int. backstraps
PX4 Storm SubCompact Type F	9x19	S - D	1	13	740	158	76	36	122	Slide	Int. backstraps
PX4 Storm Type F	.40 S&W	S - D	1	14	810	192	102	36	140	Slide	Int. backstraps
PX4 Storm Type G	.40 S&W	S - D	1	14	810	192	102	36	140	LAC	Int. backstraps
PX4 Storm Inox	.40 S&W	S - D	1	14	785	192	102	36	140	Slide	Int. backstraps
PX4 Storm Compact Type F	.40 S&W	S - D	1	12	770	173	83	36	129	Slide	Int. backstraps
PX4 Storm Type F	45 ACP	S - D	1	9-10	800	195	102	36	140	Slide	Int. backstraps
PX4 Storm Special Duty *	45 ACP	S - D	2	9-10	820	210	115	36	145	Slide	Int. backstraps



M9A3



M9A3 Black



M9A3 Black&Green

With the M9A3 semi-auto pistol series, Beretta has created a coming-together of all the tactical and functional features that today's combat professionals may require. From Vertec-style thin grip for instinctive pointability, to universal slide design convertible from safety-decocker to decocker-only, from a bevelled magazine well to oversize mag-release button, from a 3-slot built-in Picatinny rail to high-capacity capability for maximum firepower. These combat pistols were designed to be perfect for any tactical use, including home and personal defence, tactical competitions as well as duty carry in any condition.

Model	Gauge	Action	Additional Magazines	Magazine Capacity (rounds)	Weight Unloaded (g)	Total Length (mm)	Barrel Length (mm)	Width (mm)	Height (mm)	Safety Position	Grips
M9A3 FDE	9x19	S - D	1	17	944	220	129,5	38	137	Slide	Plastic
M9A3 Black	9x19	S - D	1	17	944	220	129,5	38	137	Slide	Plastic
M9A3 Black&Green	9x19	S - D	1	17	944	220	129,5	38	137	Slide	Plastic
M9A3 Black&Grey	9x19	S - D	1	17	944	220	129,5	38	137	Slide	Plastic

M9A1



M9A1



M9A1
Compact Inox



M9A1
Compact Black

Developed to meet the demanding requirements of the US Corps, the M9A1 incorporates the established reliability and performance of the M9, with added features needed for the ever-changing missions of peacekeeping forces. Thanks to its accuracy, durability and versatility, it also makes a superb choice for personal or home defense as well as concealed carry. The M9A1 is built to be ultra-tough and always dependable. Besides the superior steels of which it is constructed, it also features a unique sand-resistant magazine and a special PVD coating. At the range, the M9A1 will impress you for its low recoil, as well as for its accuracy.

Model	Gauge	Action	Additional Magazines	Magazine Capacity (rounds)	Weight Unloaded (g)	Total Length (mm)	Barrel Length (mm)	Width (mm)	Height (mm)	Safety Position	Grips
M9A1	9x19	S - D	1	17	945	217	125	38	143	Slide	Plastic
M9A1 Compact Inox	9x19	S - D	1	13	895	197	125	38	133	Slide	Plastic
M9A1 Compact Black	9x19	S - D	1	13	895	197	125	38	133	Slide	Plastic

90 Series



92 FS

The Beretta 92FS has been setting the standards for best military, police and tactical pistol for over a quarter century.

The reason is that it was designed, and has kept evolving to be and remain the most accurate, durable and reliable semi-auto handgun on the market. Easy to use, absolutely safe and delivering impressive firepower, it remains the sidearm of allied forces the world over, as well as of countless police and law-enforcement agencies.

Model	Gauge	Action	Additional Magazines	Magazine Capacity (rounds)	Weight Unloaded (g)	Total Length (mm)	Barrel Length (mm)	Width (mm)	Height (mm)	Safety Position	Grips
92 FS	9x19	S - D	1	15	945	217	125	38	143	Slide	Plastic
92 FS Inox	9x19	S - D	1	15	945	217	125	38	143	Slide	Rubber
92 FS Centennial	9x19	S	1	15	1.350	217	125	38	143	Frame	Wood
92 AI	9x19	S - D	1	15	945	217	125	38	143	Slide	Plastic
92 FS Sport	9x19	S - D	1	15	945	217	125	38	137	Slide	Rubber
92 FS 22 LR	.22 L.R.	S - D	-	15	740	217	135	38.6	140	Slide	Plastic

90 Series



92 FS Grey



92 FS Bronze

Model	Gauge	Action	Additional Magazines	Magazine Capacity (rounds)	Weight Unloaded (g)	Total Length (mm)	Barrel Length (mm)	Width (mm)	Height (mm)	Safety Position	Grips
92 FS Grey	9x19	S - D	1	15	945	217	125	38	143	Slide	Plastic
92 FS Bronze	9x19	S - D	1	15	945	217	125	38	143	Slide	Plastic



FUSION



The 92 FS Fusion Blue is a new Limited Edition, reinterpretation of the iconic 92FS. It's the result of a careful design aimed at creating the perfect balance between tradition and innovation. The name celebrates this "fusion" of different materials and the most modern technologies available with the craftsmanship that made Beretta Premium Guns so famous worldwide. The result is a gun with an extremely contemporary design and rich in fine details. The barrel, all the levers and screws are chromed and hand-polished, mirrored to create a contrast with the blue finish of the frame and the slide. Compared to military standards that require a 160 mm maximum H + L, the Fusion Blue expresses its highest level of accuracy in the selection and treatment of barrels, guaranteeing its H+L ranges from 60 to 70 mm. An exclusive series of only 100 pistols, 60 in caliber 9x19 and 40 in 9x21. Every pistol is numbered progressively and offers a truly exclusive detail: the pistol number coincides with its dedicated serialization.



FUSION



The Fusion Blue features a dedicated case in light gray carbon fiber, with internal Alcantara® lining and contrasting orange stitching. Personalized with the coined Pietro Beretta shield, it is equipped with a safety lock. The kit includes a second magazine, a cleaning kit with a light gray carbon fiber multifunction handle, a dedicated screwdriver to remove the exclusive screws of the grips and a congratulatory card in ferromagnetic steel with the serial number and the autograph by the President Franco Gussalli Beretta.

Model	Gauge	Action	Additional Magazines	Magazine Capacity (rounds)	Weight Unloaded (g)	Total Length (mm)	Barrel Length (mm)	Width (mm)	Height (mm)	Safety Position	Grips
92 FS Fusion Blue	9x19	S	1	15	1390	217	125	38	143	Slide	Mother-of-pearl



1301 TACTICAL



I301 Tactical



I301 Tactical FDE

Model	Gauge	Chamber (mm)	Barrel (cm)	Sights (mm)	Chokes (type)	Accessories	Pad
I301 Tactical	12	76	47,5	Ghost Ring	OCHP (CL)	Stock spacers	MicroCore®
I301 Tactical FDE	12	76	47,5	Ghost Ring	OCHP (CL)	Stock spacers	MicroCore®
I301 Tactical OD Green	12	76	47,5	Ghost Ring	OCHP (CL)	Stock spacers	MicroCore®
I301 Tactical Inox / Marine	12	76	47,5	Ghost Ring	OCHP (CL)	Stock spacers	MicroCore®

1301 TACTICAL



1301 Tactical OD Green



1301 Tactical Inox / Marine

The 1301 is Beretta's gas operated semi-automatic shotgun engineered to be ultra-reliable and easy to use. Thanks to its compact size, it is ideal for negotiating tight spaces. It has all the features that a modern tactical shotgun should offer and it is easily adaptable to most users' needs, body type and shooting posture. Right out-of-the-box, the 1301 Tactical features an oversized charging handle, large textured bolt release and an oversized reversible safety button. The integrated B-LINK gas operating system, featuring a cross tube gas piston, allows the 1301 Tactical to cycle 36% faster than any other shotgun on the market. This also makes it ideal for 3-gun competitions.

CX4 Storm



Cx4 Storm



Cx4 Storm FDE

The Cx4 is a semiauto pistol-caliber carbine designed to give you the familiar controls of your favorite Beretta combat handgun. The operating handle, safety and magazine release are reversible and give you the opportunity to train or shoot right- or left-handed, while case ejection can also be switched from right to left. The length of pull is adjustable. Sights, lightning and other accessories can be easily mounted, thanks to the top rail, the retractable Picatinny rail and possibility to mount additional rails on the left, right and bottom. And after a day at the range, this carbine is a snap to take apart and reassemble, while its ultra-tough construction and surface treatment make it stand up to the hardest use.

Model	Gauge	Action	Additional Magazines	Magazine Capacity	Weight Unloaded	Total length (mm)	Barrel length (mm)	Width	Height	Safety Position
Cx4 Storm FDE	9X19	S	1	10-15	2575	755	422,5	63	190	Slide
Cx4 Storm	9X19	S	1	10-15	2575	755	422,5	63	190	Slide



ARX 100



ARX 160
Pistol

The ARX platform takes the concept of a modular rifle to futuristic levels, while maintaining a simple operation that makes it ultra-reliable. With ambidextrous controls, easily-replaceable barrel and virtually endless possibilities for customization and accessorizing, the ARX100 is adaptable to any firing scenario and is perfect for today's most demanding tactical shooter.

The ARX160 is a .22 LR tactical training rifle that looks, feels and handles like its full-size counterpart.

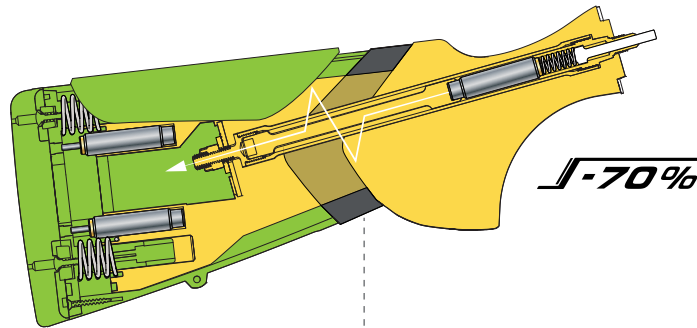
Model	Gauge	Action	Additional Magazines	Magazine Capacity	Weight Unloaded	Total length (mm)	Barrel length (mm)	Width	Height	Safety Position
ARX 100	.223 Rem	S	1	5	3080	908	406	70	215	Ambidextrous selector
ARX 160 Carbine	.22 LR	S	1	5	3084	673	406	70	216	Ambidextrous selector
ARX 160 Pistol	.22 LR	S	1	5	1700	480	211	80	290	Ambidextrous selector



BERETTA KICK-OFF SYSTEM

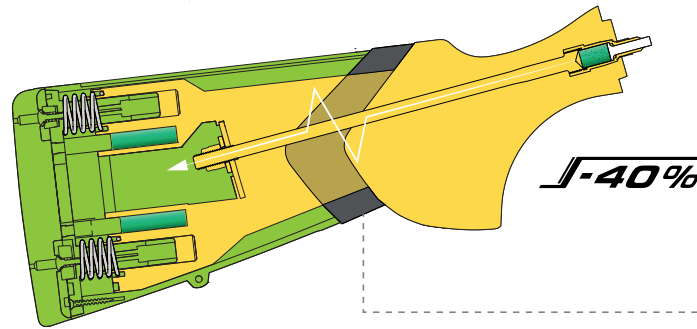
WORLD'S BEST RECOIL AND MUZZLE RISE REDUCTION

KICK OFF M



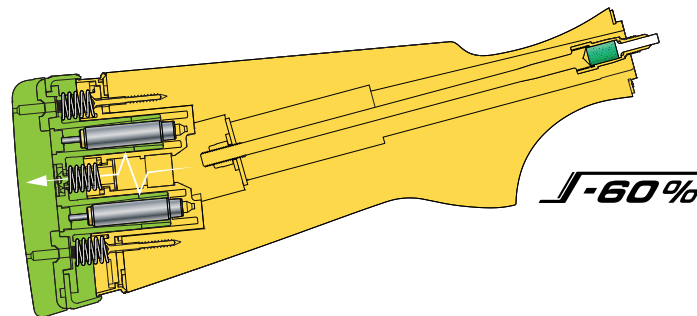
-70%

KICK OFF PLUS



-40%

KICK OFF



-60%

FIXED PART MOBILE PART

B STEADY

Kick-Off Mega is the most powerful recoil reduction system available today, ideal for 89 mm chambered shotguns, especially when you enjoy shooting high loads and hundreds of shots in a single day. It effectively combines 3 different devices that work synergistically, reducing the perceived recoil by up to 70%, ensuring greater stability, better control and faster target acquisition. Two hydraulic shock absorbers, similar to those used in the automotive and aerospace industry, positioned close to the rubber insert, together with return springs, effectively act on the first recoil peak. A third hydraulic shock absorber, inserted in the tie rod, acts on the second recoil peak caused by the impact of the slide against the receiver, further reducing the muzzle rise effect and the vibrations caused by the movement of the slide.

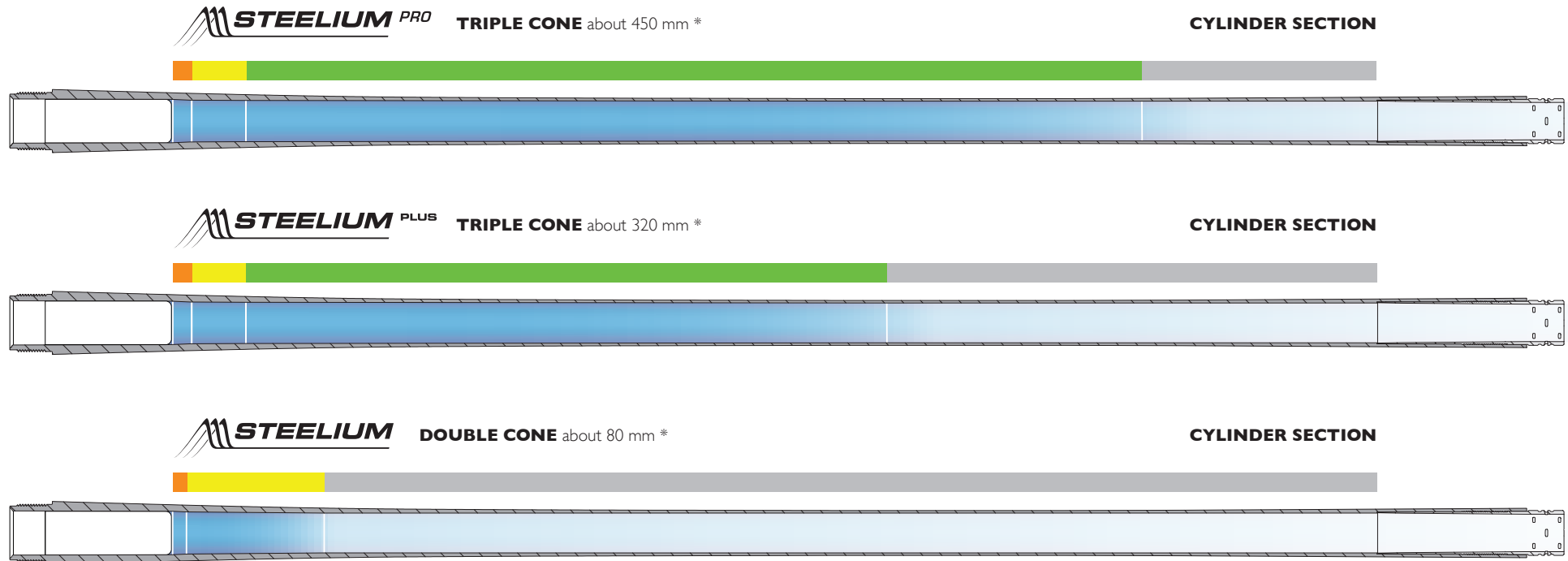
Kick-Off Plus consists of two elastomer shock absorbers, positioned close to the rubber insert and equipped with return springs, which effectively act on the first recoil peak, reducing its perception up to 40%. A third elastomer shock absorber, inserted in the tie rod, absorbs the impact of the slide against the receiver, reducing the second recoil peak, the muzzle rise effect and the vibrations caused by the movement of the slide.

Kick-Off is the first recoil reduction system developed by Beretta using hydraulic shock absorbers similar to those used in the automotive and aeronautical industries. It consists of two shock absorbers inserted close to the butt plate, completed by return springs, which effectively act on the first recoil peak, reducing the perceived recoil up to 60%. A third elastomer shock absorber, inserted in the tie rod, acts on the second recoil peak caused by the impact of the slide against the receiver, further reducing the muzzle rise effect and the vibrations caused by the movement of the slide.

The **B-Steady** system divides the stock into two sections: stock and pistol. The point of absorption of the recoil is in an advanced position, integral with the pistol, which is free to move back, leaving the stock stable and avoiding the annoying sliding of the nose piece on the cheek. The face remains firm and perfectly steady on the stock, without ever losing the line of sight.

STEELIUM BARREL

THE BEST BALLISTIC PERFORMANCE ON THE MARKET

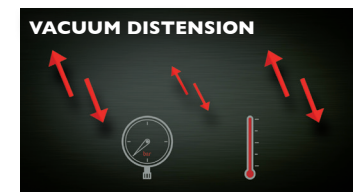


The ingredients for the stunning performance of the Beretta **Steelium barrels** are: the exclusive tri-alloy Beretta steel (Ni, Cr, Mo), the deep drilling, the cold hammer forging, the vacuum distension and the 80 mm extended forcing cone. The inner profile of the OptimaBore HP barrels has been designed and tested to provide perfect accuracy with every type of shells: lead, steel and High Performance steel. This results in perfect patterns on every shot.

The **Steelium Plus** barrels have a triple forcing cone that reaches a length of 320 mm (in a 76 cm barrel). In **Steelium Pro** barrels, the length of the forcing cone is further extended, up to 450 mm (in 76 cm barrels). This progressive inner profile of the barrel provides smoother shot with reduced muzzle rise and guarantees perfect, dense and uniform patterns with any type of ammunition.

* The indicated lengths are based on 76 cm barrels.

LEGAL NOTES: while every effort has been made to make this catalog as complete and accurate as possible, changes may occur at any time in the illustrations, descriptions, colors shown, and technical specs listed. Beretta provides ongoing improvements to its products and consequently, all specifications can vary without notice.







GUN SERVICE BERETTA

THE OFFICIAL BERETTA FIREARM ASSISTANCE

In Beretta, the maintenance of your firearm is carried out by a professional Beretta gunsmith, a member of the same team who gave life to your gun. Our know-how, the use of the last generation equipment, authentic spare parts and accessories ensure the best possible care for your Beretta firearm. Today our gunsmiths are able to provide you the best service on:

- Barrel maintenance and treatment
- Wood making and treatment
- Mechanical parts maintenance, repair and replacement and much more.

Gun Service operates only by appointment. To know more about our services and book your appointment:
Mail: gunservice@beretta.com – Tel: +39 030 834 1457



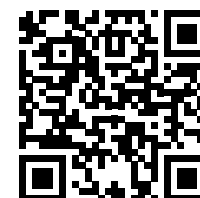
REGISTERED OWNER'S WARRANTY



**JUST GOT A NEW BERETTA FIREARM?
REGISTER IT AND GET 3-YEARS WARRANTY* ON YOUR PRODUCT!**


GO TO **REGISTRYOUR.BERETTA.COM**

REGISTER YOUR DATA TO RECEIVE YOUR WARRANTY CERTIFICATE
AND STAY UPDATED ON BERETTA'S LATEST NEWS.



Registration is due within 30 days from purchase. Terms and conditions:
beretta.com/en/garanzia-del-fabbricante

*Some countries may apply enhanced warranty conditions, please verify with your local distributor.



BERETTA DIGITAL USER MANUALS: ALL THE TIPS YOU NEED, ALWAYS AT YOUR FINGERTIPS

With just a click, you can access the user manual for your Beretta firearm right from your smartphone, find all the info you need, and go on with your adventure straight-away!

The new Beretta digital user manuals are:

- Always accessible wherever you are
- Easy to navigate and search
- Available with additional support capabilities, including HOW-TO videos showing you how your firearm works and how you can take care of it.
- Always updated

Find your manual on:

USERMANUAL.BERETTA.COM



BERETTA GALLERY

LONDON

36 St. James's Street
London SW1A 1JD, U.K.
Tel. +44 207 408 4411

PARIS

57, Rue Pierre Charron
75008 Paris, France
Tel. +33 1 56 88 59 59

NEW YORK

718 Madison Avenue
New York, NY 10065, U.S.A.
Tel. +1 212 319 3235

DALLAS

41 Highland Park Village
Dallas, TX 75205, U.S.A.
Tel. +1 214 559 9800

BUENOS AIRES

Arenales 1654/56
C1061AAT CABA, Argentina
Tel. +54 114 8139 258

LONDON

Beretta at HARRODS
87-135 Brompton Road
London, SW1X 7XL, U.K.
Tel. +44 207 730 1234 ext. 2092

MILANO

Beretta at RAVIZZA
Via Hoepli, 3
20122 Milano, Italia
Tel. +39 02 7602 8325

MOSCOW

Beretta at KOLCHUGA
Varvarka str. 3
109012, Moscow, Russia
Tel. +8 495 234 34 43

MADRID

Beretta at EL CORTE INGLÉS
Raimundo Fernández de Villaverde, 79
28003 Madrid, España
Tel. +34 914 18 88 00

MEMPHIS

Beretta at BASS PRO SHOPS
1 Bass Pro Drive
Memphis Pyramid, TN 38105, U.S.A.
Tel. +1 901-291-8200